

SOLIX® SERIES CONTROL HEAD INSTALLATION GUIDE

532520-3_B

Overview

Follow the instructions in this installation guide to gimbal mount the control head. We encourage you to read this guide before starting the installation, so you may understand the installation requirements.

SUPPLIES: In addition to the hardware supplied with your control head, you will need a powered hand drill and various drill bits, flat head screwdriver, pencil, safety glasses and dust mask, marine-grade silicone sealant, dielectric grease (optional), extension cables (optional), Ethernet cables (optional), and accessory cables (optional). Also, see **Connect Power** to determine the type of connection, fuse, and additional equipment you will need for the installation.

Accessories and Ethernet: Accessories and Ethernet equipment are available for purchase at humminbird.com. The installation guides are available with the product, or they can be downloaded from our Web site.

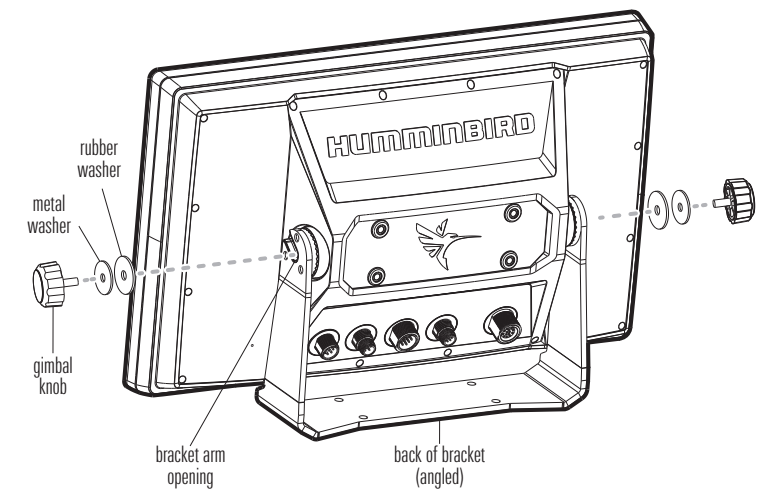
NOTE: For RAM mounting installation, see the FAQ (Frequently Asked Questions) section of our Web site at humminbird.com.

1. Plan the Mounting Location

Pre-assemble the control head to plan the best mounting location.

- Place 1 metal washer onto each gimbal knob.
- Place 1 rubber washer onto each gimbal knob.
- Install the gimbal knobs (with washers) into each side of the control head. Tighten the knobs just enough so you can slide the control head into the gimbal bracket arms.
- Install the control head into the arms of the bracket mount. Confirm the opening in the gimbal bracket arms faces the rear of the control head. Confirm the ratchets on the bracket and control head fit together.

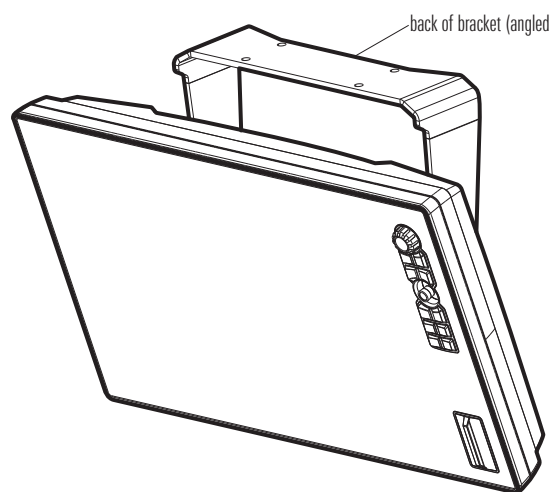
Assembling the Control Head and Bracket



If you prefer to mount the control head overhead, flip the bracket to the top of the control head. The opening in the gimbal bracket arms must face the rear of the control head.

NOTE: Overhead and/or thin panels may require additional hardware (separate purchase required) to securely mount the control head.

Overhead Mount



- Hand-tighten the gimbal knobs to secure the control head to the gimbal bracket.
- Place the assembled control head in various locations to determine the best mounting location with the following requirements:

- a stable, protected surface to protect the control head from excessive wave shock, vibration, and water
- sufficient space for the control head tilt range
- visibility during operation, as well as easy installation and removal
- access above and below the mounting surface to pass the cables through to the control head
- space for the 1 1/4" (31.75 mm) cable hole located 2" to 4" (50 to 100 mm) behind the chosen mounting location

- Test route all cables (transducer, power, Ethernet, accessories) to the control head mounting location. Leave enough cable length for the control head tilt range.
- After you have selected the mounting location, loosen the gimbal knobs and remove the control head from the gimbal bracket.

2. Install the Gimbal Bracket

- Place the gimbal bracket in the chosen position on the mounting surface. Make sure the straight part of the bracket faces forward. The opening in the

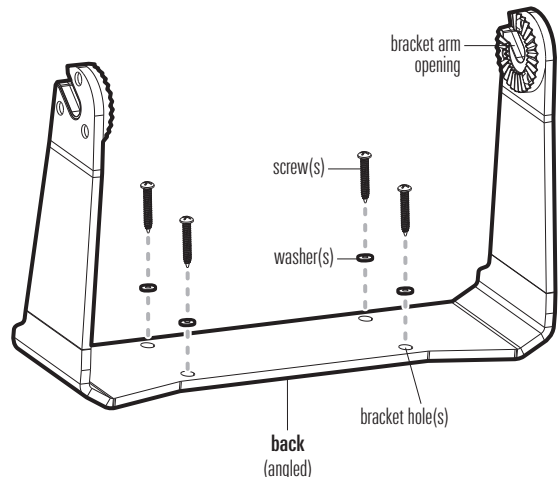
gimbal bracket arms must face the rear of the control head. See the illustration *Assembling the Control Head and Bracket* for more information.

- Mark the four mounting screw locations using a pencil or center punch.
- Set the gimbal bracket aside. Drill the four mounting screw holes using a 5/32" (4 mm) drill bit.
- Cable Hole:** Mark and drill a 1 1/4" (31.75 mm) hole 2" to 4" (50 to 100 mm) behind the bracket. You will use this hole for routing the cables to the control head in another section.
- Proceed to **Traditional Mount** or **Overhead Mount**.

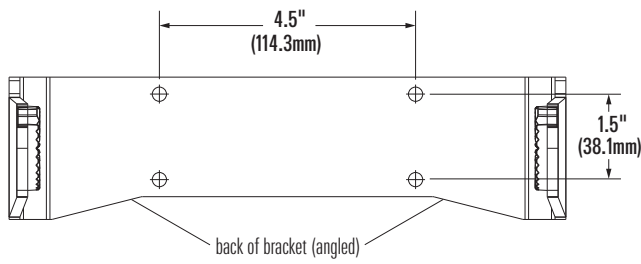
Traditional Mount

- Place the bracket on the mounting surface aligned with the drilled holes.
- Fill the mounting holes with marine-grade silicone sealant.
- Place one flat washer onto each #10 x 1" wood screw. Insert the four screws with washers into the mounting holes and tighten them until they are secure (see the illustration *Installing the Gimbal Bracket*). **Hand-tighten only!**

Installing the Gimbal Bracket



Bracket Hole Pattern Measurements



- Place the control head back onto the gimbal bracket (see *Plan the Mounting Location* for details). Adjust the control head viewing angle as needed and tighten the gimbal knobs until the assembly is secured. **Hand-tighten only!**

Overhead Mount

NOTE: Overhead and/or thin panels may require additional hardware (separate purchase required) to securely mount the control head.

- Place the bracket on the mounting surface aligned with the drilled holes. Fill one hole with marine-grade silicone sealant.
- Place one flat washer on a #10 x 1" wood screw and install the screw into the hole (see the illustration *Installing the Gimbal Bracket*). Repeat for the remaining three holes.
- Tighten each screw until it is secure.
- Place the control head back onto the gimbal bracket (see *Plan the Mounting Location* for details). Adjust the control head viewing angle as needed and tighten the gimbal knobs until the assembly is secured. **Hand-tighten only!**

3. Connect Power

It is important to review the following information before you start the power installation:

- Cable Length:** A 6' (2 m) long power cable is included. You may shorten or lengthen the cable using 18 gauge multi-stranded copper wire. See the **Recommended Power Cable Extension Information** table for details.

Recommended Power Cable Extension Information

Extension Length	Wire Gauge
1 to 6 ft	18 AWG
6 to 12 ft	14 AWG
12 to 24 ft	12 AWG

Please consult a U.S. Coast Guard ABYC-approved wire gauge diagram or a certified NMEA Marine Electronics Installer.

- Power Supply:** The control head must be connected to a 12 VDC power supply using the fuse size and type shown in the **Required Fuse Information** table.

Required Fuse Information (separate purchase required)

Model	Fuse Size	Fuse Type
SOLIX 10	5 A	slow-blow or MDL equivalent
SOLIX 12	5 A	slow-blow or MDL equivalent
SOLIX 15	7.5 A	slow-blow or MDL equivalent

- Fuse Panel or Battery:** The control head power cable can be connected to the electrical system of the boat at the fuse panel (usually located near the console), or directly to the battery. In order to minimize the potential for interference with other marine electronics, a separate power source (such as a second battery) may be necessary.

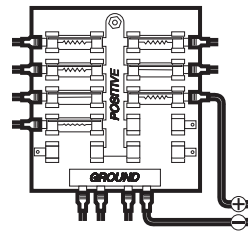
WARNING! Some boats have 24 or 36 Volt electric systems, but the control head MUST be connected to a 12 VDC power supply.

WARNING! Make sure that the power cable is disconnected from the control head at the beginning of this procedure.

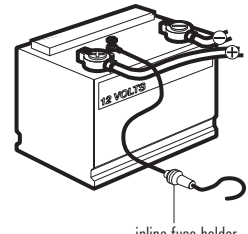
WARNING! Humminbird® is not responsible for over-voltage or over-current failures. The control head must have adequate protection through the proper selection and installation of the required fuse shown in the **Required Fuse Information** table.

- Confirm that the power cable is disconnected from the control head.
- Connect the power cable wires to the fuse panel or battery as follows:

Fuse Terminal Connection: Use crimp-on type electrical connectors (not included) that match the terminal on the fuse panel. Attach the black wire to ground (–), and the red wire to positive (+) 12 VDC power. Install the required fuse (as shown in the **Required Fuse Information** table).



Battery Connection: Install an inline fuse holder (not included) and the required fuse (as shown in the **Required Fuse Information** table). Attach the black wire to ground (–), and the red wire to positive (+) 12 VDC power.



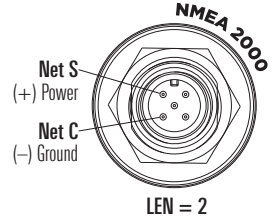
NOTE: For multi-control head installations and troubleshooting information, download the Power Troubleshooting Guide from our Web site at humminbird.com. Also, see the control head operations manual to set the Low Battery Alarm and use Standby Mode to conserve power.

NOTE: If you have a trolling motor, it is important to keep the control head power and trolling motor power as separate as possible.

4. Route and Connect the Cables

- Sonar:** Proceed to your transducer installation guide and follow the instructions to install the transducer.
- Accessories (optional):** Install accessories using the guides provided with them.
- Ethernet (optional):** Install Ethernet cables and hardware using the Ethernet Installation Guide.

NMEA 2000® Port (optional)



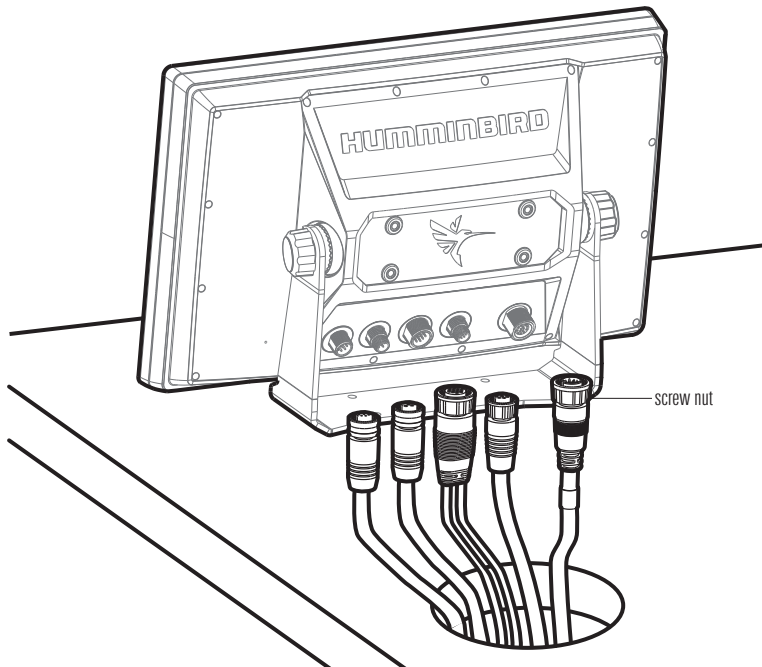
NOTE: The installation guides for Ethernet and optional-purchase accessories are available with your product, and they can be downloaded from our Web site at humminbird.com.

- Route all cables to the control head. Your boat may have a pre-existing wiring channel or conduit that you can follow. Route the cables as far as practical from the antenna cable of VHF radios or tachometer cables to reduce the possibility of interference.

CAUTION! Do NOT mount the cables where the connectors could be submerged in water or flooded. If cables are installed in a splash-prone area, it may be helpful to apply dielectric grease to the inside of the connectors to prevent corrosion. Dielectric grease can be purchased separately from a general hardware or automotive store.

- Pass the cables through the cable hole.

Routing the Cables Behind the Bracket



- Connect each cable to the appropriate ports on the control head. The ports are labeled, and the connectors are keyed to prevent incorrect installation.
- Hand-tighten the screw nut on each cable to secure the connection. See the illustration *Routing the Cables Behind the Bracket*.

Cover any unused ports to prevent potential damage.

- Confirm there is enough cable slack to allow for the control head to pivot through its full tilt range and for connecting or disconnecting the cables. Use nylon cable ties (not included) to secure the cables and create a clean assembly.

NOTE: If there is excess cable that needs to be gathered at one location, dress the cable routed from both directions so that a single loop is left extending from the storage location. Doubling the cable up from this point, form the cable into a coil. Storing excess cable using this method can reduce electronic interference.

Storing Excess Cable



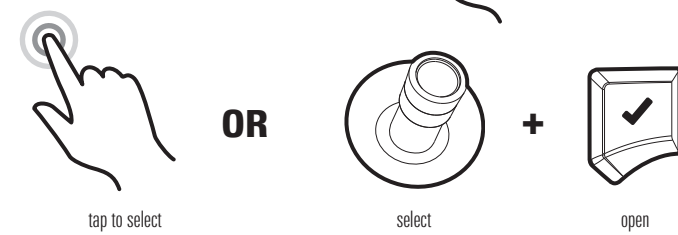
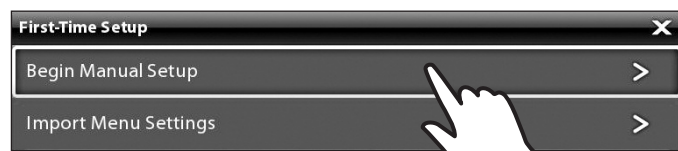
5. Test the System Installation

- Press the POWER key to turn on the control head. Select **Start Normal Mode**.

When you power on the control head for the first time, use the Setup Guide to configure the unit. After initial setup, these settings can be adjusted from the Home screen > Settings or Setup Guide.

- Select **Begin Manual Setup**.


To import menu settings from another control head, download the SOLIX Operations Manual from humminbird.com.



- Select **Angler mode**. Follow the on-screen prompts to configure the unit.

Angler mode is the fastest way to configure the control head with less menu settings to get in the way. Use the smart defaults without the need to customize your unit.

Custom mode allows you to see more menu settings for a detailed customization of your unit. For details, download the SOLIX Operations Manual from humminbird.com.

- After the setup is confirmed, press the Home key .
- Select Settings > Network > System Info.

GPS: Confirm the GPS is listed as **Enhanced Fix** or **3D Fix**. Confirm that a latitude/longitude position is displayed in the **Position** digital readouts section.

Accessories: Review the list to confirm accessories are listed as connected. If an accessory is not detected, check cable connections, confirm power is turned on, and review the installation guide. The temp/speed accessory will be detected only if the paddlewheel has moved.

NOTE: You can access sensor port settings from Settings > Network. To turn on NMEA 0183 output, select NMEA 0183 sentences, set the baud rate, etc., select Settings > Network > NMEA 0183.

- Press the Home key.
- Sonar Test:** Test and finalize the transducer installation using the instructions in the transducer installation guide.
- When the transducer test and installation are completed, the SOLIX control head is ready for on-the-water operation.

Use the **Home screen** to access settings, alarms, views, and tools. The options are determined by the equipment attached to the control head network.

For operations information, see the Quick Start Guide included with your control head and the SOLIX Operations Manual (available for download at humminbird.com).

Important Notices

WARNING! Disassembly and repair of this electronic unit should only be performed by authorized service personnel. Any modification of the serial number or attempt to repair the original equipment or accessories by unauthorized individuals will void the warranty.

WARNING! This device should not be used as a navigational aid to prevent collision, grounding, boat damage, or personal injury. When the boat is moving, water depth may change too quickly to allow time for you to react. Always operate the boat at very slow speeds if you suspect shallow water or submerged objects.

FCC NOTICE: This device complies with Part 15 of the FCC Rules. Operation is subject to the following two conditions: (1) this device may not cause harmful interference, and (2) this device must accept any interference received, including interference that may cause undesired operation.

CAUTION! This equipment has been tested and found to comply with the limits for a Class B digital device, pursuant to Part 15 of the FCC Rules. These limits are designed to provide reasonable protection against harmful interference in a residential installation. This equipment generates, uses and can radiate radio frequency energy and, if not installed and used in accordance with the instructions, may cause harmful interference to radio communications. However, there is no guarantee that interference will not occur in a particular installation. If this equipment does cause harmful interference to radio or television reception, which can be determined by turning the equipment off and on, the user is encouraged to try to correct the interference by one or more of the following measures:

- Reorient or relocate the receiving antenna.
- Increase the separation between the equipment and receiver.
- Connect the equipment into an outlet on a circuit different from that to which the receiver is connected.
- Consult the dealer or an experienced radio/TV technician for help.

Class B Device (Broadcasting and communication equipment for home):

CAUTION! This equipment is home use (Class B) electromagnetic wave suitability equipment and to be used at home and it can be used in all areas.

ENVIRONMENTAL COMPLIANCE STATEMENT: It is the intention of Johnson Outdoors Marine Electronics, Inc. to be a responsible corporate citizen, operating in compliance with known and applicable environmental regulations, and a good neighbor in the communities where we make or sell our products.

WEEE DIRECTIVE: EU Directive 2002/96/EC "Waste of Electrical and Electronic Equipment Directive (WEEE)" impacts most distributors, sellers, and manufacturers of consumer electronics in the European Union. The WEEE Directive requires the producer of consumer electronics to take responsibility for the management of waste from their products to achieve environmentally responsible disposal during the product life cycle.

WEEE compliance may not be required in your location for electrical & electronic equipment (EEE), nor may it be required for EEE designed and intended as fixed or temporary installation in transportation vehicles such as automobiles, aircraft, and boats. In some European Union member states, these vehicles are considered outside of the scope of the Directive, and EEE for those applications can be considered excluded from the WEEE Directive requirement.

This symbol (WEEE wheelee bin) on product indicates the product must not be disposed of with other household refuse. It must be disposed of and collected for recycling and recovery of waste EEE. Johnson Outdoors Marine Electronics, Inc. will mark all EEE products in accordance with the WEEE Directive. It is our goal to comply in the collection, treatment, recovery, and environmentally sound disposal of those products; however, these requirements do vary within European Union member states. For more information about where you should dispose of your waste equipment for recycling and recovery and/or your European Union member state requirements, please contact your dealer or distributor from which your product was purchased.

Humminbird® and SOLIX® are trademarks by or registered trademarks of Johnson Outdoors Marine Electronics, Inc.

NMEA 2000® is a registered trademark of the National Marine Electronics Association.

© 2018 Johnson Outdoors Marine Electronics, Inc. All rights reserved.

CONTACT HUMMINBIRD

Contact Humminbird Customer Service in any of the following ways:

Web site:
humminbird.com

E-mail:
service@humminbird.com

Telephone:
1-800-633-1468

Direct Shipping:
Humminbird
Service Department
678 Humminbird Lane
Eufaula, AL 36027 USA

Hours of Operation:
Monday - Friday
8:00 a.m. to 4:30 p.m. (Central Standard Time)



SÉRIE SOLIX GUIDE D'INSTALLATION DE LA TÊTE DE COMMANDE

532520-3_B

Aperçu

Suivez les directives de ce guide pour monter la tête de commande sur un support à cardan. Nous vous encourageons à lire les directives avant de commencer l'installation afin de prendre connaissance des exigences.

MATÉRIEL : En plus du matériel fourni avec la tête de commande, vous avez besoin d'un perceuse électrique et de forets, ainsi que de divers outils à main, tournevis à tête plate, un crayon, des lunettes de sécurité, un masque antipoussières, un agent d'étanchéité à base de silicone de qualité marine, de la graisse diélectrique (facultatif), des câbles de rallonge (facultatif), câbles Ethernet (facultatif), des câbles de l'accessoire (facultatif). Consultez également la section *Connexion de la alimentation électrique* pour voir le type de connexion, fusible, et de l'équipement supplémentaire dont vous aurez besoin pour effectuer l'installation.

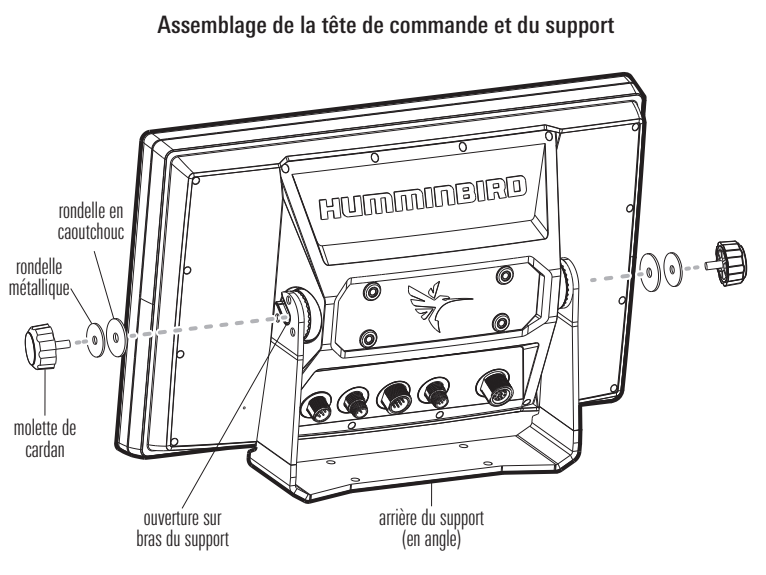
Accessoires et Ethernet : Les accessoires et l'équipement Ethernet sont disponibles à l'achat sur **humminbird.com**. Les guides d'installation accompagnent le produit ou il est également possible de les télécharger depuis notre site Web.

REMARQUE : Pour l'installation de montage RAM, consultez la section FAQ (Foire aux questions) de notre site Web à l'adresse **humminbird.com**.

1. Préparation de l'emplacement de montage

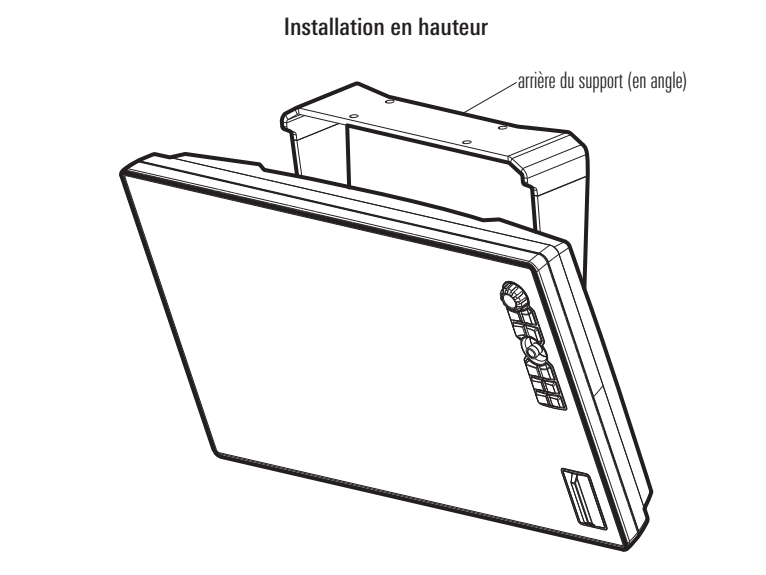
Assemblez provisoirement la tête de commande et choisissez le meilleur emplacement d'installation.

- Placez une rondelle métallique sur chaque bouton de cardan.
- Placez une rondelle en caoutchouc sur chaque molette de cardan.
- Placez les molettes du cardan (avec rondelles) de chaque côté de la tête de commande. Serrez les molettes juste assez pour pouvoir faire glisser la tête de commande dans les bras du support.
- Installez la tête de commande dans les bras du support. Confirmer l'ouverture dans les bras du support de cardan face à l'arrière de la tête de commande. Confirmer les cliquets sur le support et la tête de commande ensemble.



Si vous préférez monter la tête de commande en hauteur, faites pivoter le support au-dessus de la tête. L'ouverture dans les bras de support doit faire face à l'arrière de la tête de commande.

REMARQUE : Une installation sur une surface en hauteur ou très mince peut nécessiter des accessoires de montage supplémentaires (vendus séparément) afin que la tête de commande soit solidement installée.



- Avec les doigts, serrez les molettes du cardan pour fixer la tête de commande sur le support.
- Placez la tête de commande à divers endroits et choisissez le meilleur emplacement de montage avec les conditions suivantes :

- une surface stable et protégée afin de protéger la tête de commande des quantités d'eau, chocs ou remous importants
- un espace suffisant pour pouvoir permettre le pivotement complet de la tête de commande
- une bonne visibilité durant l'utilisation, ainsi que pour faciliter l'installation et le retrait
- un accès sur et en dessous de l'emplacement de montage afin de pouvoir faire passer les câbles jusqu'à la tête de commande
- espace pour le trou de câble de 31,75 mm (1,25 po) situé entre 50 et 100 mm (2 et 4 po) derrière l'emplacement de montage choisi

- Vérifiez si tous les câbles appropriés (transducteur, alimentation, Ethernet, et accessoires) couvrent bien la distance jusqu'à l'emplacement de montage choisi pour la tête de commande. Laissez suffisamment de longueur de câble pour la gamme d'inclinaison de la tête de commande.

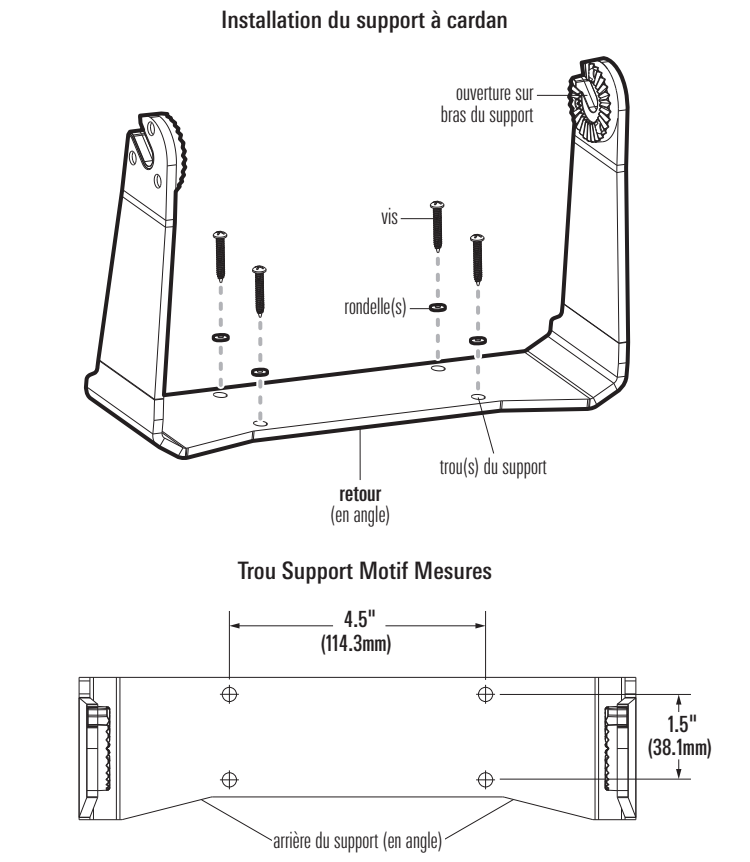
- Une fois l'emplacement de montage déterminé, desserrez les molettes et retirez la tête de commande du support de cardan.

2. Installation du support à cardan

- Placez le support à cardan à l'emplacement choisi sur la surface de montage. Assurez-vous que la partie droite de le support cardan soit orientée vers l'avant. L'ouverture dans les bras de support doit faire face à l'arrière de la tête de commande. Consultez l'illustration *Assemblage de la tête de commande et du support* pour plus d'informations.
- Marquez la position des vis de montage à l'aide d'un crayon ou d'un poinçon.
- Mettez le support de cardan de côté. Percez les quatre trous pour les vis de montage, à l'aide d'un foret de 4 mm (5/32 po).
- Trou de câble** : marquez et percez un trou de 31,75 mm (1,25 po) à un emplacement qui se trouve entre 50 et 100 mm (2 et 4 po) derrière du support. Ce trou sera utilisé pour acheminer les câbles vers la tête de commande dans une autre section.
- Procéder à *Montage Classique* ou *Installation en hauteur*.

Montage classique

- Placez le support de cardan sur la surface de montage, en ligne avec les trous percés.
- Remplissez les trous au moyen d'un agent d'étanchéité à base de silicone de qualité marine.
- Placez une rondelle plate sur chaque vis à bois de 25 mm (n° 10 x 1 po). Installez les quatre vis avec les rondelles sur les trous de montage et les serrer jusqu'à ce qu'ils soient sécurisés (voir l'illustration *Installation du support à cardan*). **Serrez les vis à la main seulement!**



- Placez la tête de commande sur le support à cardan (pour plus de détails, voir *Préparation de l'emplacement de montage*). Réglez au besoin l'angle de la tête de commande et serrez les molettes du cardan jusqu'à ce que l'assemblage soit solidement maintenu en place. **Serrez les vis à la main seulement!**

Installation en hauteur

REMARQUE : si la surface de montage en hauteur est très mince ou peu propice à l'installation d'un appareil, des accessoires de montage supplémentaires vendus séparément pourraient être nécessaires afin que la tête de commande soit solidement installée.

- Placez le support sur la surface de montage, en ligne avec les trous percés. Remplissez un trou avec un agent d'étanchéité à base de silicone de qualité marine.
- Placez une rondelle plate sur une vis à bois de 25 mm (n° 10 x 1 po) et installez la vis dans le trou (voir l'illustration *Installation du support à cardan*). Répétez l'opération sur les trois trous restants.
- Serrez solidement chaque vis.
- Placez la tête de commande sur le support à cardan (pour plus de détails, voir *Préparation de l'emplacement de montage*). Réglez au besoin l'angle de la tête de commande et serrez les molettes du cardan jusqu'à ce que l'assemblage soit solidement maintenu en place.

3. Brancher l'alimentation

Lisez attentivement les informations suivantes avant de commencer l'installation électrique:

- Longueur du câble** : Un câble d'alimentation de 2 m (6 pi) est inclus. Il est possible de raccourcir ou rallonger ce câble à l'aide d'un câble multiconducteur en cuivre de calibre 18. Consultez le tableau des *Informations relatives aux rallonges des câbles d'alimentation recommandées* pour plus de détails.

Informations relatives aux rallonges des câbles d'alimentation recommandées	
Longueur de la rallonge	Diamètre du fil
0,3 à 1,8 m (1 à 6 pi)	1,02 mm (18 AWG)
1,8 à 3,6 m (6 à 12 pi)	1,63 mm (14 AWG)
3,6 à 7,3 m (12 à 24 pi)	2,05 mm (12 AWG)
Veuillez consulter un diagramme des diamètres de fil de la garde côtière américaine approuvé par l'ABYC ou un installateur de matériel électronique maritime certifié par la NMEA.	

- Système d'alimentation** : la tête de commande doit être connectée à un bloc d'alimentation de 12 V c.c. à l'aide de la taille et type du fusible indiqué dans le tableau des *Requis Fusible Information*.

Requis Fusible Information (vendus séparément)		
Modèle	Taille du Fusible	Type de Fusible
SOLIX 10	5 A	fusible temporisé ou équivalent fusible MDL
SOLIX 12	5 A	fusible temporisé ou équivalent fusible MDL
SOLIX 15	7,5 A	fusible temporisé ou équivalent fusible MDL

- Tableau à fusibles ou batterie** : on peut brancher le câble d'alimentation de la tête de commande au système électrique du bateau à deux endroits : soit au tableau à fusibles, habituellement situé près de la console, soit directement à la batterie. Afin de réduire les possibilités d'interférence avec d'autres systèmes électroniques marins, il pourrait s'avérer nécessaire d'utiliser une autre source d'alimentation (telle une seconde batterie).

AVERTISSEMENT ! Certains bateaux sont munis de systèmes électriques de 24 V ou 36 V, mais la tête de commande DOIT être branchée à un bloc d'alimentation de 12 V c.c.
AVERTISSEMENT ! Assurez-vous que le câble d'alimentation n'est pas branché à la tête de commande au début de cette procédure.
AVERTISSEMENT ! Humminbird ne garantit pas le produit contre les surtensions et les surintensités. La tête de commande doit disposer d'une protection suffisante; installer de façon adéquate du fusible requis indiqué dans le tableau des <i>Requis Fusible Information</i> .

- Assurez-vous que le câble d'alimentation n'est pas branché à la tête de commande.
- Connectez les câbles d'alimentation au tableau à fusibles ou à la batterie comme suit :

Connexion au tableau de fusibles : utilisez des connecteurs électriques à sertir (non inclus) qui conviennent au raccord du tableau à fusibles. Branchez le fil noir à la masse (–) et le fil rouge à l'alimentation (+) de 12 V c.c. Installez le fusible requis (comme indiqué dans le tableau des *Requis Fusible Information*).

Connexion à la batterie : Installez un porte-fusible (non inclus) et le fusible requis (comme indiqué dans le tableau des *Requis Fusible Information*). Branchez le fil noir à la masse (–) et le fil rouge à l'alimentation (+) de 12 V c.c.

REMARQUE : Pour des informations relatives au dépannage et aux installations de plusieurs têtes de commande, téléchargez le guide de dépannage relatif à l'alimentation électrique depuis notre site Web sur **humminbird.com**. Consultez également guide d'utilisation de la tête de contrôle pour définir l'alarme source d'alimentation faible et utiliser le mode Veille afin d'économiser de l'énergie.

REMARQUE : Si vous avez un moteur de pêche à la traîne, il est important de garder la puissance de la tête de commande et la puissance du moteur de pêche à la traîne aussi séparées que possible.

4. Acheminement et connexion des câbles

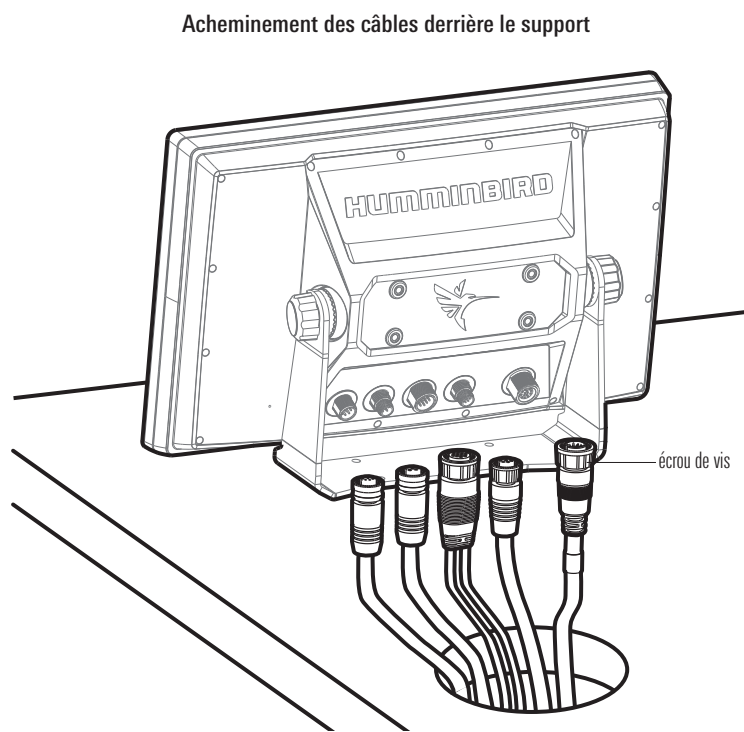
- Sonar** : Passez au guide d'installation du transducteur et suivez les instructions détaillées.
- Accessoires (en option)** : Installez les accessoires à l'aide des guides d'installation fournis.
- Ethernet (en option)** : Installez les câbles Ethernet et l'installateur en vous aidant du guide d'installation Ethernet.

REMARQUE : Les guides d'installation Ethernet et des accessoires en option sont fournis avec le produit et peuvent être téléchargés depuis notre site Web **humminbird.com**.

- Acheminez tous les câbles vers la tête de commande. Il se peut que votre bateau soit déjà muni d'une canalisation ou conduite de câblage que vous pouvez utiliser pour acheminer les câbles. Veillez à garder le câble le plus à l'écart possible de tout câble d'antenne de radio VHF ou de câble de tachymètre afin de limiter les possibilités d'interférence.

- MISE EN GARDE!** Ne PAS monter les câbles dans un endroit où les connecteurs pourraient être submergés. Si les câbles sont installés dans une zone où des éclaboussures sont possibles, il est préférable d'appliquer de la graisse diélectrique sur l'intérieur des connecteurs pour éviter la corrosion. Il est possible d'acheter la graisse diélectrique séparément dans une quincaillerie ou un magasin d'équipement automobile.

- Faites passer les câbles dans le trou de câble.



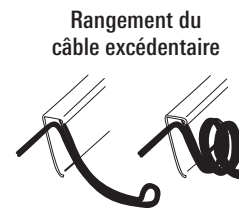
- puis branchez-les sur les connecteurs appropriés de la tête de commande. Les ports sont étiquetés et les connecteurs de câbles sont également marqués afin d'éviter toute erreur d'installation.

- Serrez les écrous de vis sur les câbles à la main pour sécuriser les connexions. Voir l'illustration *Acheminement des câbles derrière le support*.

Tous les ports non utilisés doivent être recouverts d'un cache afin d'éviter de les endommager.

- Assurez-vous que les câbles aient assez de mou pour permettre à la tête de commande de pivoter entièrement et pour leur branchement/débranchement. Utilisez des attaches de câble en nylon (vendues séparément) pour fixer les câbles et créer un assemblage net.

REMARQUE : Si le câble est un peu long et que vous devez ranger l'excédent quelque part, placez le câble que vous aurez tiré des deux directions de façon à ne former qu'une seule boucle (comme c'est montré dans l'illustration). Doublez le câble à partir de ce point et enroulez-le en spirale. Le fait de ranger l'excès de câble de cette manière peut contribuer à réduire les interférences électroniques.



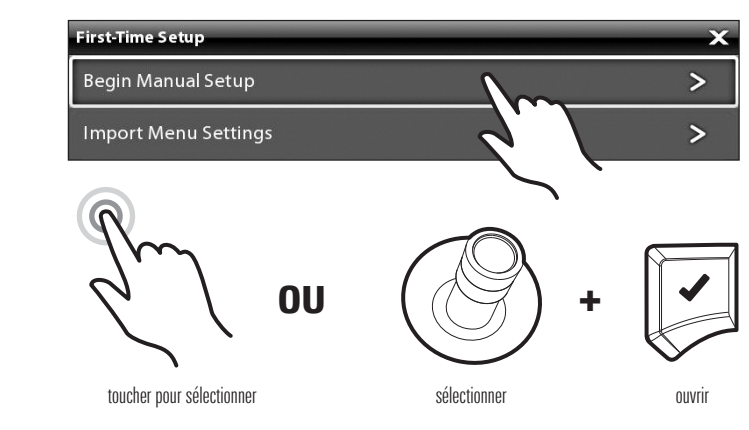
5. Essais de l'installation du système

- Appuyez sur la touche de mise en marche pour mettre la tête de commande en marche. Sélectionnez **Démarrer le mode normal**.

Lorsque vous allumez la tête de commande pour la première fois, consultez le guide de configuration pour configurer l'appareil. Après la configuration initiale, les réglages peuvent être modifiés sous Accueil > Réglages ou Guide de Configuration.

- Sélectionnez **Lancer la configuration manuel**.


Pour importer les réglages de menu d'une autre tête de commande, téléchargez le guide d'utilisation SOLIX depuis **humminbird.com**.



- Sélectionnez le **mode Pêcheur**. Suivez les invites à l'écran pour configurer l'appareil.

Le **mode Pêcheur** est le moyen le plus rapide de configurer la tête de contrôle avec moins de paramètres de menu pour obtenir de la manière. Utilisez les valeurs par défaut intelligentes sans avoir besoin de personnaliser votre unité.

Le **mode Personnalisé** vous permet de voir plus de paramètres de menu pour une personnalisation détaillée de votre appareil. Pour plus de détails, téléchargez le guide d'utilisation SOLIX depuis **humminbird.com**.

- Lorsque la configuration est confirmée, appuyez sur la touche Accueil 
- Sélectionnez Réglages > Réseau > Info système.

GPS : Assurez-vous que le réglage Type de position affiché est **Améliorée** ou **3D**. Assurez-vous que les valeurs de latitude/longitude sont affichées dans la section des **Position** de indicateurs numériques.

Accessoires : Passez en revue la liste pour vous assurer que les accessoires sont bien connectés. Si un accessoire n'est pas détecté, vérifiez les connexions des câbles, assurez-vous que l'appareil est sous tension et consultez le guide d'installation. L'accessoire de vitesse/température sera détecté seulement si la roue à aubes a été déplacée.

REMARQUE : Vous pouvez accéder aux paramètres du port du capteur à partir de Paramètres > Réseau. Pour activer la sortie NMEA 0183, sélectionnez les phrases NMEA 0183, la vitesse de transmission, etc., sélectionnez Paramètres > Réseau > NMEA 0183.

- Appuyez sur la touche Accueil.
- Test sonar** : Testez et finalisez l'installation du transducteur en suivant les instructions reprises dans le guide d'installation du transducteur.
- Une fois le test du transducteur et l'installation terminés, votre tête de commande SOLIX est prête à être utilisée pour la navigation.

À partir de **l'écran d'accueil**, vous pouvez accéder aux réglages, alarmes, affichages et outils. Les options sont déterminées par l'équipement qui est connecté au réseau de la tête de commande.

Pour des informations relatives au fonctionnement, consultez le guide de démarrage rapide qui accompagne votre tête de commande et le guide d'utilisation SOLIX (disponible au téléchargement sur **humminbird.com**).

Avis importants

AVERTISSEMENT ! La réparation et/ou le démontage de cet appareil électronique doit être effectué uniquement par un personnel d'entretien autorisé. Toute modification du numéro de série et/ou réparation par un personnel non autorisé entraînera l'annulation de la garantie.

AVERTISSEMENT ! Cet appareil ne devrait en aucun cas être utilisé comme instrument de navigation afin de prévenir les collisions, l'échouage, les dommages au bateau ou les blessures aux passagers. Lorsque le bateau est en mouvement, la profondeur de l'eau peut varier trop rapidement pour vous laisser le temps de réagir. Avancez toujours très lentement si vous soupçonnez la présence de bas-fonds ou d'obstacles submergés.

AVIS DE LA FCC : Cet appareil est conforme à la Section 15 des règlements de la FCC. Son utilisation est soumise aux deux conditions suivantes : (1) cet appareil ne doit pas causer d'interférences nuisibles ; et (2) cet appareil doit pouvoir accepter toute interférence reçue, incluant des interférences qui pourraient causer un fonctionnement indésirable.

MISE EN GARDE ! Cet équipement a été testé et déclaré conforme aux limites d'un appareil numérique de classe B, conformément à la Section 15 des règlements de la FCC. Ces limites sont conçues pour fournir une protection raisonnable contre les interférences nuisibles dans une installation résidentielle. Cet équipement génère, utilise et peut émettre de l'énergie radioélectrique et, s'il n'est pas installé et utilisé conformément aux instructions, peut causer des interférences nuisibles aux communications radio. Cependant, il n'y a aucune garantie que des interférences ne surviendront pas dans une installation spécifique. Si cet équipement provoque des interférences nuisibles à la réception des signaux de radio ou de télévision (on peut déterminer cela en éteignant et rallumant l'équipement), l'utilisateur est encouragé à essayer de corriger l'interférence par une ou plusieurs des mesures suivantes :

- Réorienter ou déplacer l'antenne de réception.
- Augmenter la distance séparant l'équipement et le récepteur.
- Brancher l'équipement dans une prise sur un circuit différent de celui auquel le récepteur est branché.
- Consulter le détaillant ou un technicien radio/télévision expérimenté pour obtenir de l'aide.


Appareil de classe B (équipement de diffusion et de communication pour la maison) :

MISE EN GARDE ! Cet équipement est un équipement à usage domestique émettant des ondes électromagnétiques (classe B) convenant à un usage domestique.

DÉCLARATION DE CONFORMITÉ AVEC L'ENVIRONNEMENT : Johnson Outdoors Marine Electronics, Inc. entend agir en de façon responsable, et respecter la réglementation environnementales connues et applicables et la politique de bon voisinage des communautés où elle fabrique et vend ses produits.

DIRECTIVE DEEE : La directive EU 2002/96/CE sur les « déchets d'équipements électriques et électroniques (DEEE) » concerne la plupart des distributeurs, vendeurs et fabricants d'équipements électroniques grand public dans l'Union européenne. La directive DEEE requiert que le producteur d'équipements électroniques grand public prenne en charge la gestion des déchets de leurs produits et mettent en œuvre leur élimination en respectant l'environnement, pendant le cycle de vie du produit.

Il est possible que la conformité à la directive DEEE ne soit pas requise sur le site pour les équipements électriques et électroniques (EEE), ou pour les équipements EEE conçus et destinés à des installations temporaires ou fixes sur les véhicules de transport tels que les automobiles, les aéronefs ou les bateaux. Dans certains pays membres de l'Union européenne, ces véhicules n'entrent pas dans le domaine d'application de la directive, et les EEE pour ces applications peuvent être considérés exclus de la conformité à la directive WEEE.

 Ce symbole (poubelle DEEE) figurant sur le produit indique qu'il ne doit pas être mis au rebut avec les autres déchets ménagers. Il doit être éliminé et recueilli pour le recyclage et la récupération des équipements EEE à mettre au rebut. Johnson Outdoors Marine Electronics, Inc. marque tous les produits EEE conformément à la directive DEEE. Notre but est de respecter les directives sur la collecte, le traitement, la récupération et la mise au rebut de ces produits en respectant l'environnement ; ces exigences varient toutefois d'un état membre à l'autre de l'Union européenne. Pour obtenir d'autres renseignements sur les sites d'élimination des déchets d'équipements en vue de leur recyclage et de leur récupération et/ou sur les exigences des états membres de l'Union européenne, renseignez-vous auprès du distributeur ou du lieu d'achat de votre produit.

© 2018 Johnson Outdoors Marine Electronics, Inc. Tous droits réservés.

POUR COMMUNIQUER AVEC HUMMINBIRD

Communiquez avec le service à la clientèle de l'une des façons suivantes :

site Web :	humminbird.com
Courrier électronique :	service@humminbird.com
Téléphone :	1-800-633-1468
Adresse d'expédition directe :	Humminbird Service Department 678 Humminbird Lane Eufaula, AL 36027 USA
Heures de fonctionnement :	du lundi au vendredi de 8 h à 16 h 30 (heure normale du Centre)

